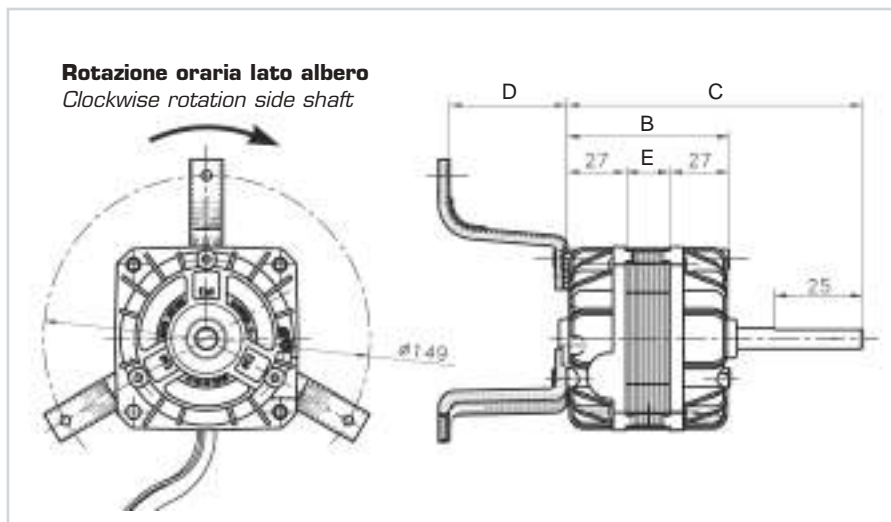


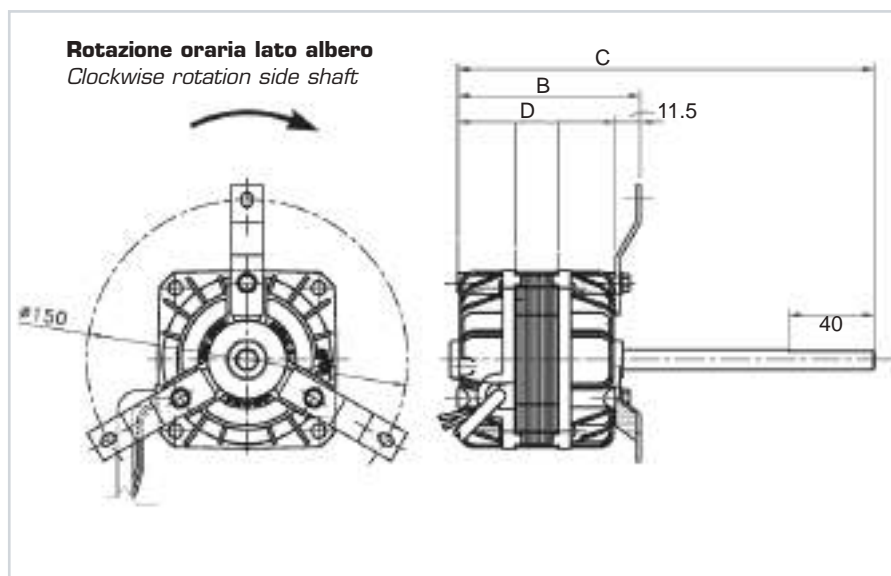
# MOTORI MONOFASE PER VENTILCONVETTORI

## SINGLE-PHASE MOTORS FOR FAN COILS



Articolo Art.	Modello Model	V	Hz	A	Watt Resi Watt given	Watt ass. Abs. watt	N. vel. No. speed	Giri RPM	B	C	D	E	Ø Albero Ø Shaft
<b>VL.252</b>	83-2025/01	230	50	0.46	25	100	4	1100	74	106	53.5	20	9.52

**NOVITÀ**  
**NEW**



Articolo Art.	Modello Model	V	Hz	A	Watt Resi Watt given	Watt ass. Abs. watt	N. vel. No. speed	Giri RPM	B	C	D	Ø Albero Ø Shaft
<b>VL.253</b>	83-2015/08	230	50	0.46	13	50	4	1100	85.5	195	53.5	9.52