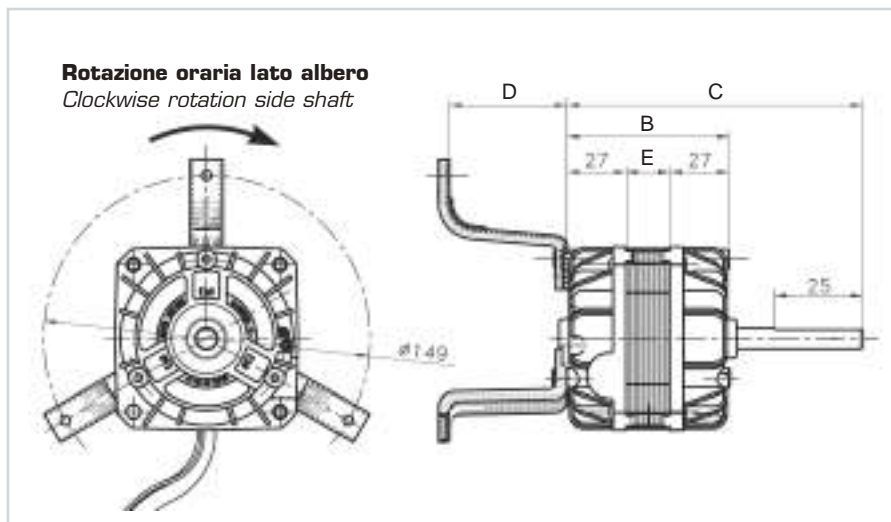


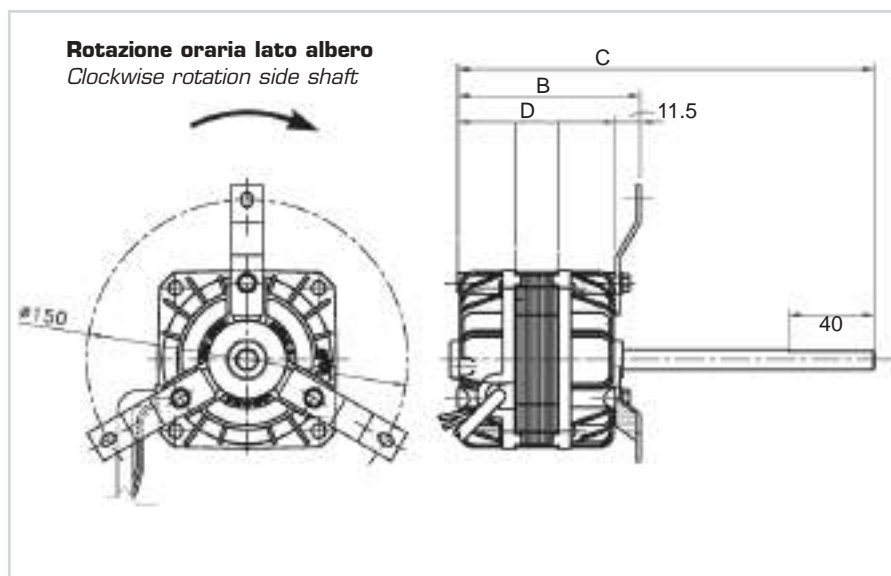
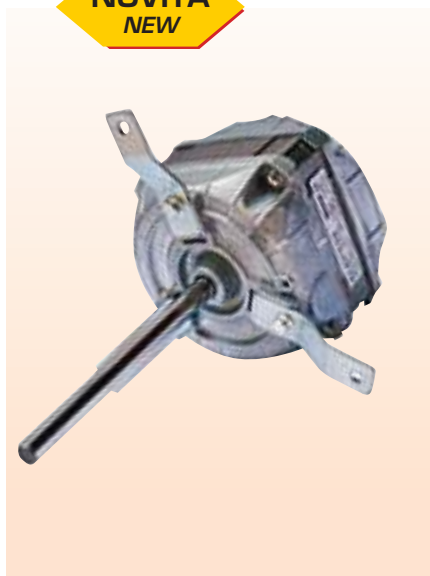
MOTORI MONOFASE PER VENTILCONVETTORI

SINGLE-PHASE MOTORS FOR FAN COILS



Articolo Art.	Modello Model	V	Hz	A	Watt Resi Watt given	Watt ass. Abs. watt	N. vel. No. speed	Giri RPM	B	C	D	E	Ø Albero Ø Shaft
VL.252	83-2025/01	230	50	0.46	25	100	4	1100	74	106	53.5	20	9.52

NOVITÀ
NEW



Articolo Art.	Modello Model	V	Hz	A	Watt Resi Watt given	Watt ass. Abs. watt	N. vel. No. speed	Giri RPM	B	C	D	Ø Albero Ø Shaft
VL.253	83-2015/08	230	50	0.46	13	50	4	1100	85.5	195	53.5	9.52