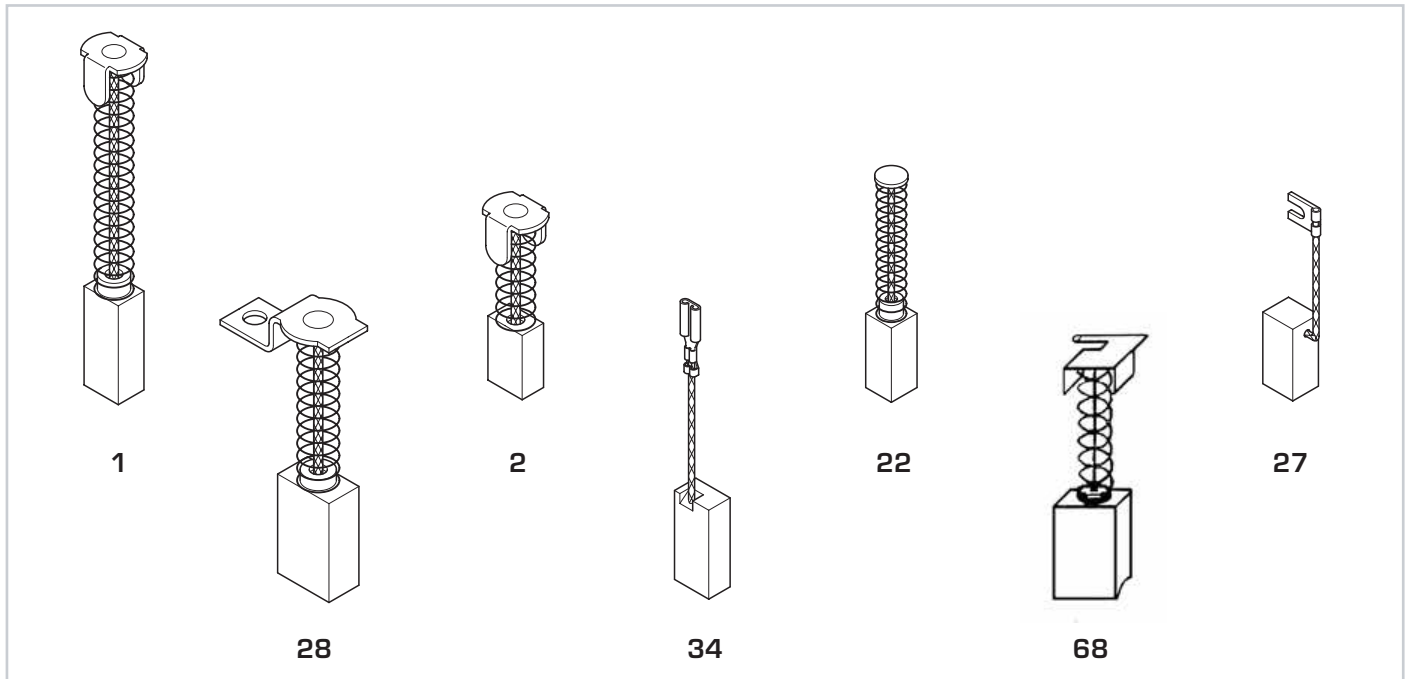


SPAZZOLE ADATTABILI PER UTENSILI

ADAPTABLE BRUSHES FOR TOOLS

RUPES



Articolo Art.	Dimensioni mm. Dimensions mm.	Impiego Use	Figura Figure
1710	6x6x16/10	TRAPANI A PERCUSSIONE / <i>PERCUSSION DRILLS</i> - PC15-TN6/8/10 LEVIG. ORBITALE / <i>ORBIT. SAND.</i> - LE7/7A S084/84A	1
1711	6x7x11/13	SMERIGLIATRICI - <i>LAPPING MACHINES</i> - AR30-BR9-TRAPANI PD30/2 NL13/16-TR10/13-TV10-PD13/13E	22
1040	6x7x12.5/11	AVVITATORE / <i>TORQUE WRENCH</i> - CE7R	1
1714	6x7x14	SMERIGLIATRICI / <i>LAPPING MACHINES</i> - AR34-AR10-AR5-BA15- BR5/3-BR3/3A	27
1041	6x8x13	SMERIGLIATRICI / <i>LAPPING MACHINES</i> - AR37-BA21	34
1715	6x8x15/17	LEVIGATRICI / <i>SANDERS</i> - SS70-SSPF-SSMN-SSCA RIFILATORE / <i>TRIMMER</i> - RP84	1
2141	6x9x20	LEVIGATRICE / <i>SANDER</i> - LH31	68
1846	6x9x21/23	LEVIGATRICE A DISCO / <i>DISK SANDER</i> - SM1- LDR23-LDR6-LT2-LAR3- LAR23-NL23-NL3-NL2 SMERIGLIATRICE / <i>LAPPING MACHINE</i> - LAR2-5-8-12	1
2143	6x9x21/23 Con autostacco with automatic disconnection	LEVIGATRICE A DISCO / <i>DISK SANDER</i> - SM1-LDR23-LDR6-LT2-LAR3- LAR23-NL23-NL3-NL2 SMERIGLIATRICE / <i>LAPPING MACHINE</i> - LAR2-5-8-12	1
2142	6.3x11.3x28.5	ASPIRATORE / <i>ASPIRATOR</i> - S80	2
1712	7x12x20/22	SMERIGLIATRICI / <i>LAPPING MACHINES</i> - GM6/8 - GD7 - GP6/8	28