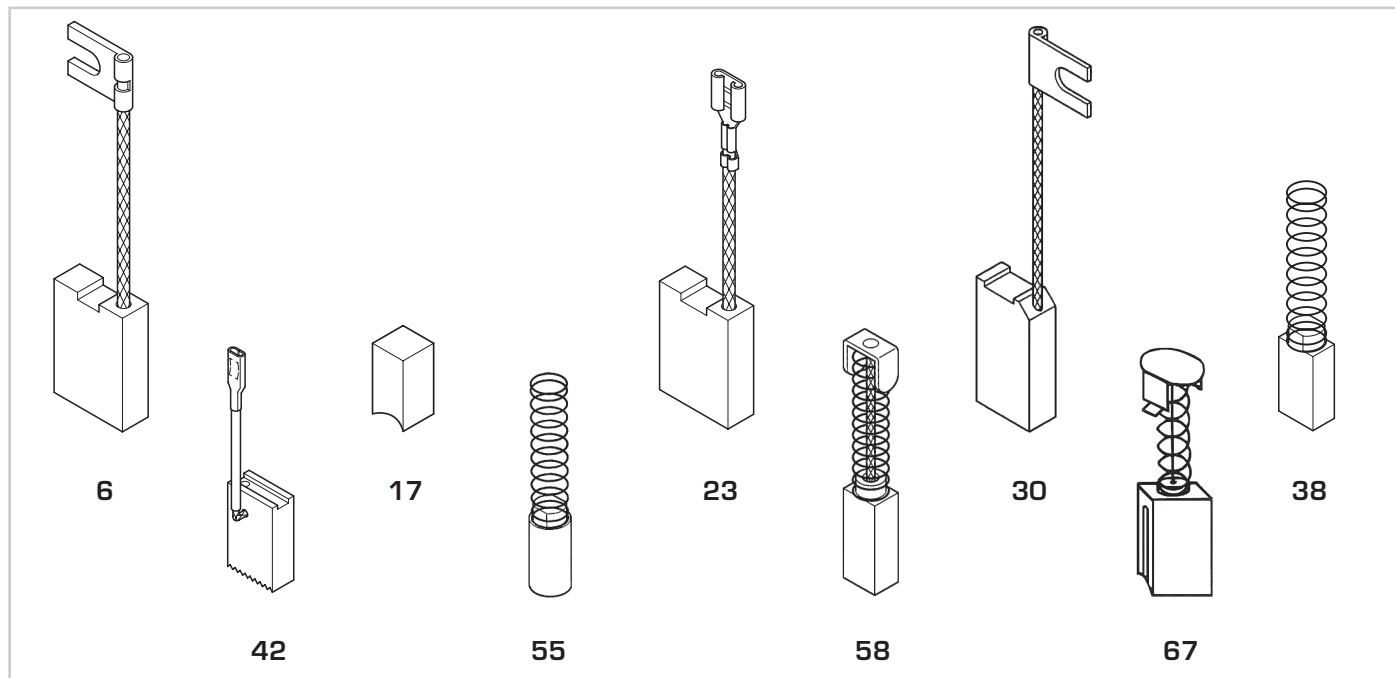


# SPAZZOLE ADATTABILI PER UTENSILI

## ADAPTABLE BRUSHES FOR TOOLS

### STAYER



Articolo Art.	Dimensioni mm. Dimensions mm.	Impiego Use	Figura Figure
1886	6x6x13	SMERIGLIATRICI - LUCID. / LAPPING MACHINES - POLISH. - LEV.Z1-Z207A/202/203-SA7/207 LAPPING - SD25-R0400/12/13	17
1720	6x6x15	TRAPANI / DRILLS - 380 - 381- 382 - 383 - 384 TC300 - 5001 - 7000 - 9000	38
1723	6x10x20	SMERIGLIATRICI - LAPPING MACHINES - Z10/3/5 - LU75/80 - LEV6	6
1887	6x14x22	SMERIGLIATRICI - LUCID. / LAPPING MACHINES - POLISH. - LEV.Z20/15/25-B6/8-Z7/9-SA12/10	30
1030	6x14x22	SMERIGLIATRICI - LUCID. / LAPPING MACHINES - POLISH. - LU170 - LU172 - SC250 - SC251	6
1719	6.2x6.2x13	TRAPANI / DRILLS - 352/353	38
1885	Ø 6.2x13	TRAPANI / DRILLS - TC4002-TM132V/10AP-370-336 - 362-364-339-365-113/13A TM34.SF/346/368/387/388/372/376/337	55
2130	6.35x8x12.5	SMERIGLIATRICE / LAPPING MACHINE - FH730	67
2131	6.5x8x15	SMERIGLIATRICE / LAPPING MACHINE - SA720	42
1882	9x12x25/28	SMERIGLIATRICI / LAPPING MACHINES - SA/6/8	58
1722	9x14x22	SMERIGLIATRICI / LAPPING MACHINES - 208/209	6
1031	9x14x22	SMERIGLIATRICI / LAPPING MACHINES - 211 - 213 - SA16 - SA14 SA290 - SA293 - SA295 - SA297 - TU507	23