

TENUTE MECCANICHE INDUSTRIALI

INDUSTRIAL MECHANICAL SEALS

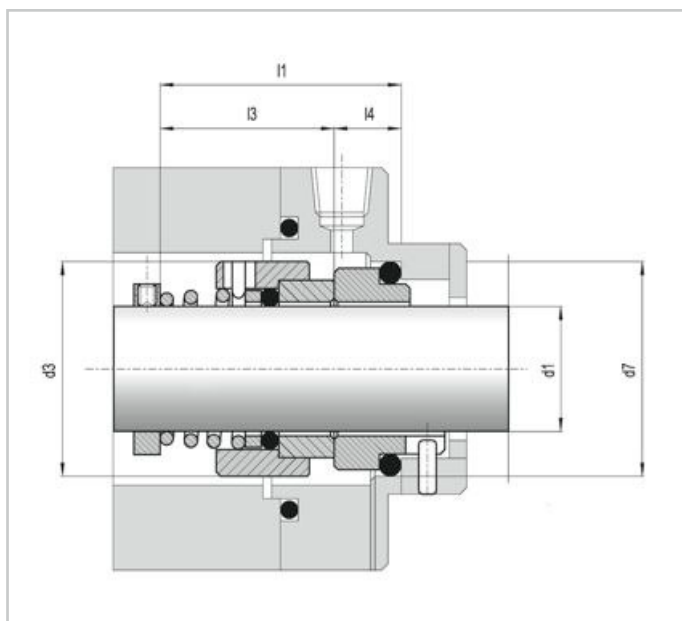
NOVITÀ
NEW

PER UTILIZZI MEDI E GRAVOSI / FOR MEDIUM-HI DUTY

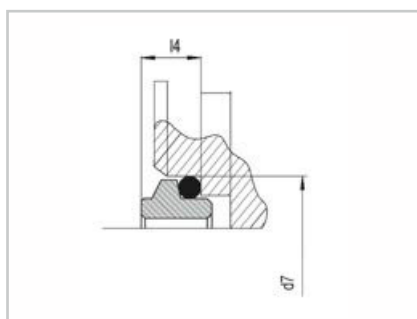
SERIE / SERIES DRM



Tenuta serie DRM
Series seal DRM



Controfaccia serie CA
Series counterface CA



DR2S - Tenuta non bilanciata / *Unbalanced seal.*

TENUTA

Silicio-Viton®. AISI 316. Guarnizioni in Viton®.

Seal

Silicon-Viton®. AISI 316. Viton® gaskets.

CONTROFACCIA - Silicio-Viton®. Guarnizioni in Viton®.

Counterface - Silicon-Viton®. Viton® gaskets.

SENSO DI ROTAZIONE - Dipendente destra.

Direction of rotation - *Dependent standard right.*

LIMITI D'IMPIEGO

$p= 12 \text{ bar}$ - $v= 15 \text{ m/s}$ - $t= -20^{\circ}\text{C} + 200^{\circ}\text{C}$
(acqua calda max 120°C)

Limits of use

$p= 12 \text{ bar}$ - $v= 15 \text{ m/s}$ - $t= -20^{\circ}\text{C} + 200^{\circ}\text{C}$
(hot water max 120°C)

TENUTE MECCANICHE INDUSTRIALI

INDUSTRIAL MECHANICAL SEALS

NOVITÀ
NEW

DIN 24960 - EN12756

Articolo Art.	TENUTA Seal DRM				CONTROFACCIA Counterface CA		
	d1	d3	I1	I3	Articolo Art.	d7	I4
DRM.20	20	34	33.5	23.5	CA.20	35	10
DRM.22	22	36	33	23	CA.22	37	10
DRM.24	24	38	35	25	CA.24	39	10
DRM.25	25	39	38	28	CA.25	40	10
DRM.28	28	42	38	28	CA.28	43	10
DRM.30	30	44	38	28	CA.30	45	10
DRM.32	32	46	40	30	CA.32	48	10
DRM.33	33	47	40	30	CA.33	48	10
DRM.35	35	49	40	30	CA.35	50	10
DRM.38	38	54	47.5	36.5	CA.38	56	11
DRM.40	40	56	50	39	CA.40	58	11
DRM.43	43	59	52.5	41.5	CA.43	61	11
DRM.45	45	61	53.5	42.5	CA.45	63	11
DRM.48	48	64	60	49	CA.48	66	11
DRM.50	50	66	60	47	CA.50	70	13
DRM.53	53	69	62	49	CA.53	73	13
DRM.55	55	71	64	51	CA.55	75	13
DRM.58	58	78	70	57	CA.58	78	13
DRM.60	60	80	70	57	CA.60	80	13
DRM.63	63	83	70	57	CA.63	83	13
DRM.65	65	85	70	57	CA.65	85	13
DRM.68	68	88	73	60	CA.68	90	13
DRM.70	70	90	75	60	CA.70	92	15
DRM.75	75	99	80	65	CA.75	97	15
DRM.80	80	104	80	64	CA.80	105	16
DRM.85	85	109	80	64	CA.85	110	16
DRM.90	90	114	85	69	CA.90	115	16
DRM.95	95	119	85	69	CA.95	120	16
DRM.100	100	124	85	69	CA.100	125	16