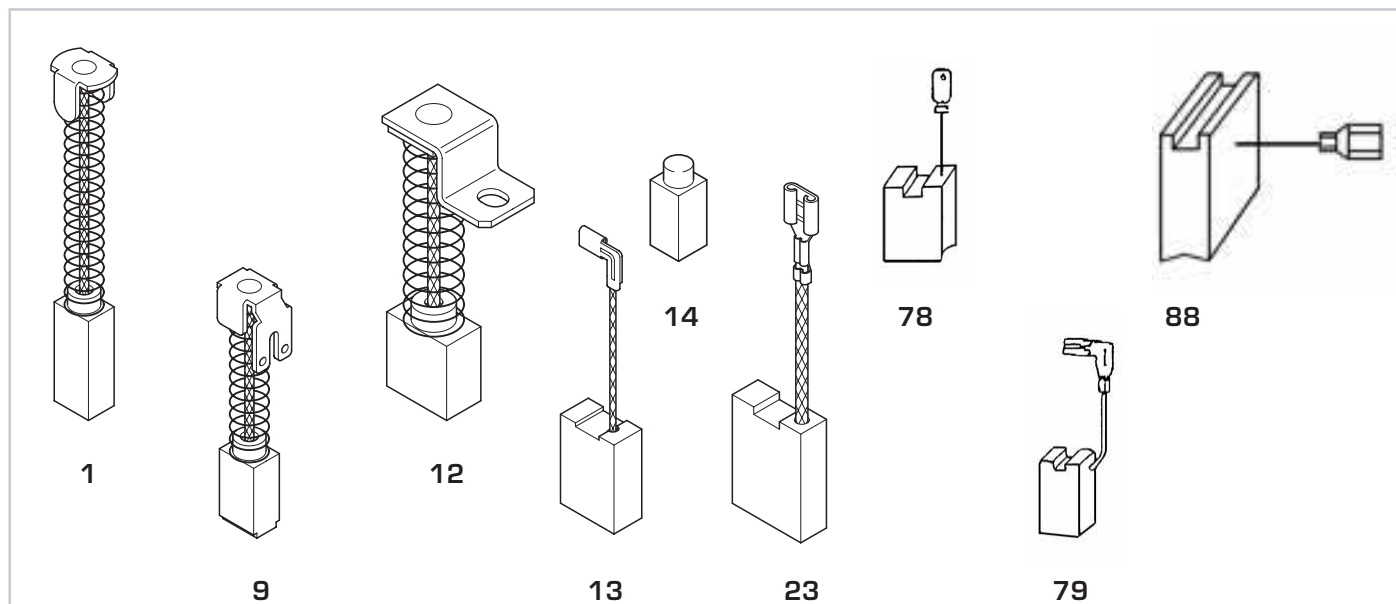


SPAZZOLE ADATTABILI PER UTENSILI

ADAPTABLE BRUSHES FOR TOOLS

METABO



Articolo Art.	Dimensioni mm. Dimensions mm.	Impiego Use	Figura Figure
2191	5x10x16 Con autostacco with automatic disconnection	MINI SMERIGLIATRICE / <i>MINI LAPPING MACHINE</i> - W7-115	88
1762	6x6x12.5	TRAPANO / <i>DRILL</i> - SB450	14
2192	6x16x20 Con autostacco with automatic disconnection	SMERIGLIATRICI / <i>LAPPING MACHINES</i> - W2030 WS2030/ 2530/2080 - W75	79
2193	6x16x22 Con autostacco with automatic disconnection	SMERIGLIATRICI ANGOLARE / <i>ANGLE LAPPING MACHINES</i> - Marathon W2080 - 81X - 2030 - 1X - 2280 - 81X - 2230 - 82XQuick 32XQuick - W75 - W75X	78
2194	6.35x8x15 Con autostacco with automatic disconnection	LEVIGATRICE A NASTRO / <i>BELT SANDING MACHINE</i> - 3360 - BAE0875 - BSO775 PIALLETTO / <i>PLANE</i> - HO 4380 SMERIGLIATRICE / <i>LAPPING MACHINE</i> - EW10.125 Quick	13
2195	6.4x8x16 Con autostacco with automatic disconnection	FRESATRICE / <i>SPINDLE MOULDER</i> - FME727 SEGHETTO ALTERNATIVO / <i>BACKSAW</i> - STEP700 MINI SMERIGLIATRICE / <i>MINI LAPPING MACHINE</i> - EW6114(001) EW7025S - EW7115S - EW7115SQuick - EW7116S Vari peel - EW7117Quick - EW7126S - EW7126SQuick - EWE7116S - EWE9024S EWE9123S - EWE9123SQuick - EWE9125S EWE9125SQuick - EW9126S - EW9127 Signal	79
1761	6.5x6.5x17	TRAPANO / <i>DRILL</i> - 75008	1
1760	6.3x8x15	TRAPANO / <i>DRILL</i> - SB600	9
1766	6.5x8x15	SMERIGLIATRICE / <i>LAPPING MACHINE</i> - 6162	23
1769	6.5x10x23	MARTELLO / <i>HAMMER</i> - 1130	1
1768	6.5x12.5x19	MARTELLO / <i>HAMMER</i> - 1129S	79
1764	8x14x14	SMERIGLIATRICE / <i>LAPPING MACHINE</i> - 612680	12
2196	10x5x16.5	SEGHE CIRCOLARI / <i>CIRCULAR SAWS</i> - W8-115 SEGHETTI / <i>SMALL SAWS</i> - W8-115 Quick	88