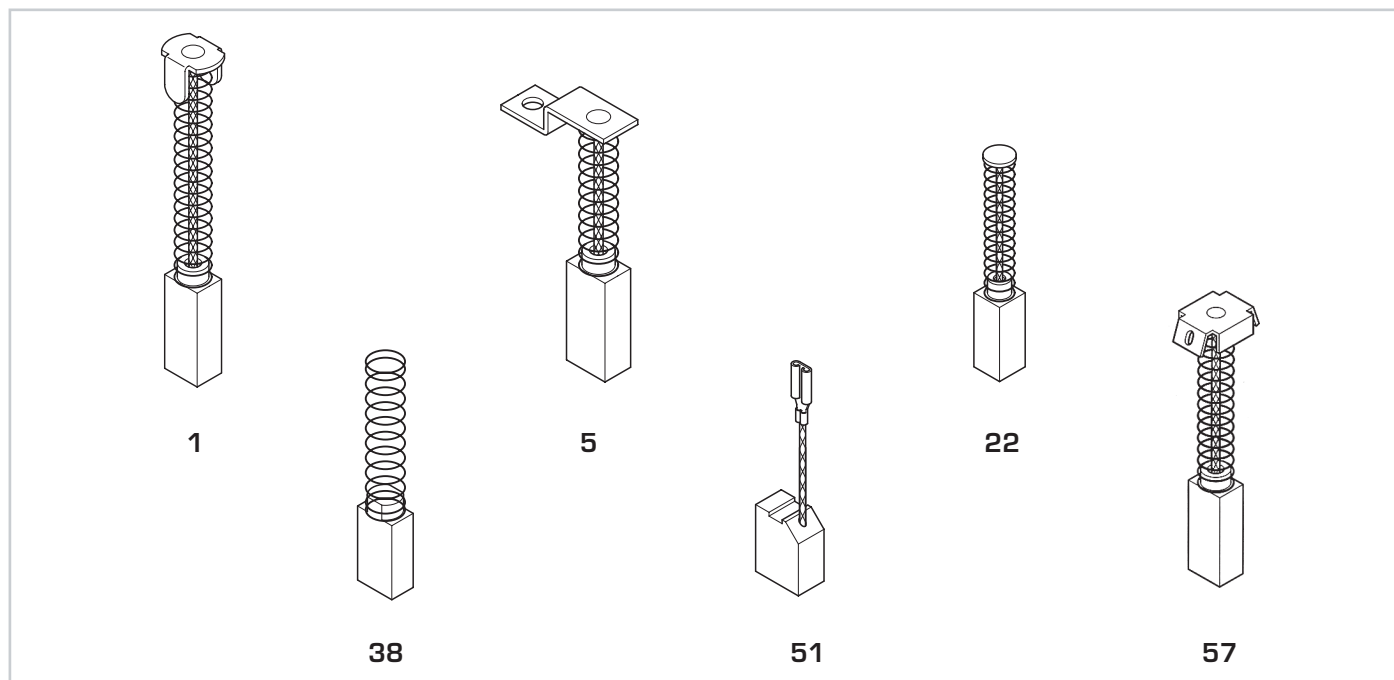


SPAZZOLE ADATTABILI PER UTENSILI

ADAPTABLE BRUSHES FOR TOOLS

FELISATTI



Articolo Art.	Dimensioni mm. Dimensions mm.	Impiego Use	Figura Figure
1725	6x6x13	SMERIGLIATRICE / LAPPING MACHINE - TP116 LUCIDATRICE / POLISHER - TP512/AS	38
1726	6x6x13	SMERIGLIATRICI / LAPPING MACHINES - TP115-TP100-TP602-TP116	22
1724	6x6x13/15	TRAPANI / DRILLS - TP266-TP267-TP613-TP6132P- TP6132PSE-TP716RLE-TP267E-TP268E	1
1728	6x9x20/22	SMERIGLIATRICE / LAPPING MACHINE - TP170 LUCIDATRICI / POLISHERS - TP513-TP514-TP515	5
1024	6.3x6.3x13	TRAPANI / DRILLS - T550-550A-550P-550PRE-T551P PRE T555P-PRE-TP601/2-TP601/2PRLE TP600/RLE-TP602-TP616-TP517-517/A-TPS516E	38
1023	6.3x16x21	FRESATRICI / ROUTERS - TP246 - 246/E SMERIGLIATRICE / LAPPING MACHINE - A24/6 CE	51
1727	6.5x12.5x20	SMERIGLIATRICE / LAPPING MACHINE - TP190/6/8 - TP200/6/8	1
1729	7x12x18	FRESATRICE / ROUTER - CT248	57
1770	6.4x16x20	SMERIGLIATRICE / LAPPING MACHINE - TP220/6/8	5
1869	9x12x25/28	SMERIGLIATRICE / LAPPING MACHINE - SF258	1