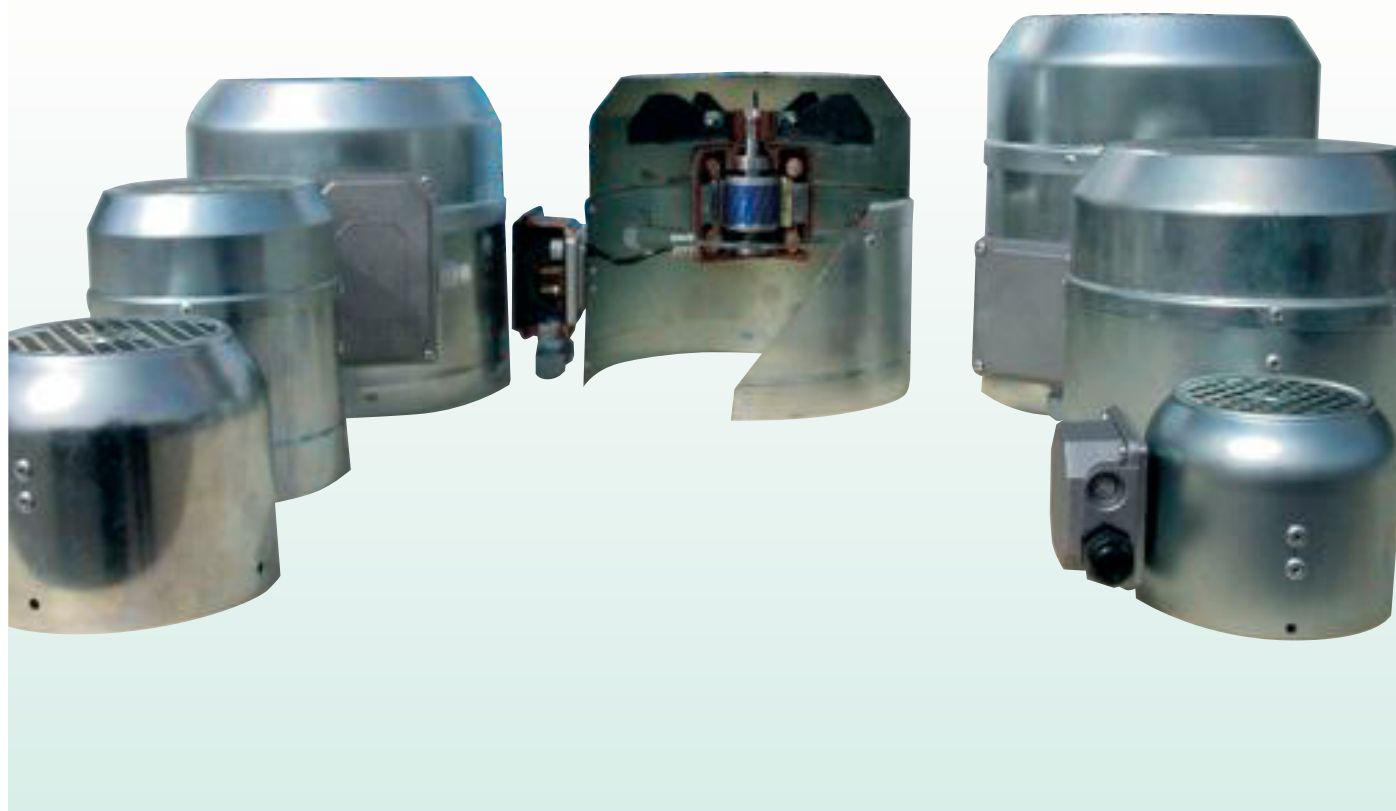


KIT SERVOVENTILATO

SERVO-VENTILATED KIT



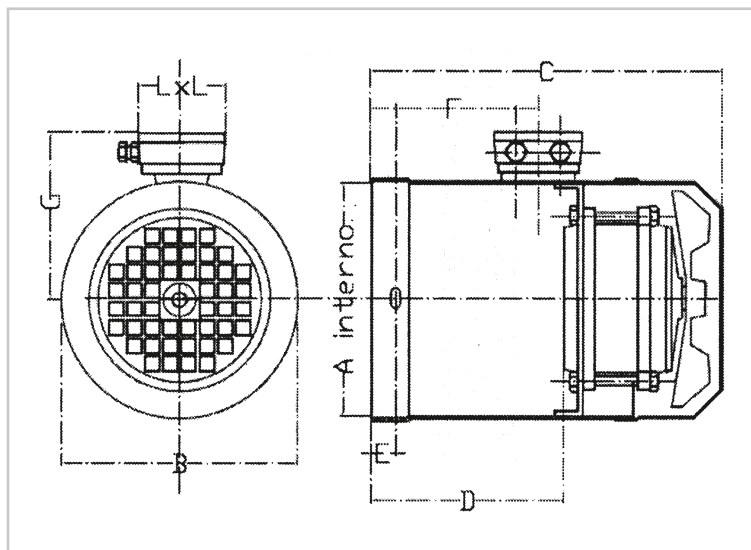
APPLICAZIONI PER RAFFREDDAMENTO

MOTORI ELETTRICI

MOTOR COOLING APPLICATION

KIT SERVOVENTILATO PER MOTORE TRIFASE AUTOFRENANTE - CON E SENZA MORSETTIERA - IP55

SERVO-VENTILATED KIT FOR SELF-BRAKING THREE-PHASE MOTOR WITH AND WITHOUT TERMINAL BOARD



INGOMBRI TRIFASI AUTOFRENANTI CON MORSETTIERA.

THREE-PHASE SELF-BRAKING MOTOR OVERALL DIMENSIONS WITH TERMINAL BOARD.

MEC	Senza morsettiiera Without terminal board	Con morsettiiera With terminal board	A	B	C	D	E	F	G	LxL
	Articolo Article	Articolo Article								
63	CLG.63	CLH.63	121	123	203	83	10	50	117	100
71	CLG.71	CLH.71	136	138	218	90	10	50	124	100
80	CLG.80	CLH.80	153	155	225	95	10	55	133	100
90	CLG.90	CLH.90	174	176	233	105	15	60	143	100
100	CLG.100	CLH.100	192	194	243	111	15	60	153	100
112	CLG.112	CLH.112	218	220	273	141	15	60	166	100
132	CLG.132	CLH.132	255	257	295	150	15	65	185	100

MEC	Volt	Hz	Velocità nom. min/1 Nom. speed min/1	Poten. Kw Power Kw	Assorb. AMP Assorb. AMP	Port. aria m ³ /h Air flow m ³ /h
63	400	50/60	2850	0.06	0.10	250
71	400	50/60	2850	0.06	0.10	250
80	400	50/60	2850	0.12	0.18	300
90	400	50/60	2850	0.12	0.20	350
100	400	50/60	2850	0.12	0.20	400
112	400	50/60	2850	0.12	0.20	450
132	400	50/60	2850	0.12	0.22	550